

Genie® Superlift Advantage® SLA™-5, SLA-10, SLA-15, SLA-20 & SLA-25

Specifications

Models	SLA-5		SLA-10		SLA-15		SLA-20		SLA-25	
Measurements	US	METRIC	US	METRIC	US	METRIC	US	METRIC	US	METRIC
Working height - standard forks (forks down)	4 ft 10.5 in	1.49m	9 ft 9 in	2.97m	14 ft 7.5 in	4.46m	19 ft 6 in	5.94m	24 ft 4 in	7.42m
Working height - standard forks (forks up)	6 ft 7 in	2.0m	11 ft 5.5 in	3.49m	16 ft 4 in	4.98m	21 ft 2.5 in	6.46m	26 ft .5 in	7.94m
Working height - adjustable forks (forks down)	4 ft 10.5 in	1.49m	9 ft 9 in	2.97m	14 ft 7.5 in	4.46m	19 ft 6 in	5.94m	24 ft 4 in	7.42m
Working height - adjustable forks (forks up)	6 ft 7 in	2.0m	11 ft 5.5 in	3.49m	16 ft 4 in	4.98m	21 ft 2.5 in	6.46m	26 ft .5 in	7.94m
Working height - flat forks	4 ft 10.5 in	1.49m	9 ft 9 in	2.97m	14 ft 7.5 in	4.46m	-	-	-	-
Working height - boom ⁽³⁾	5 ft 10.5 in	1.79m	10 ft 9 in	3.28m	15 ft 7.5 in	4.76m	20 ft 6 in	6.25m	24 ft 4 in	7.42m
Working height - load platform ⁽²⁾ - forks down	4 ft 10.5 in	1.49m	9 ft 9 in	2.97m	14 ft 7.5 in	4.46m	19 ft 6 in	5.94m	24 ft 4 in	7.42m
Working height - load platform ⁽²⁾ - forks up	6 ft 7 in	2.0m	11 ft 5.5 in	3.49m	16 ft 4 in	4.98m	21 ft 2.5 in	6.46m	26 ft .5 in	7.94m
A Height - stowed	6 ft 6.5 in	1.99m	6 ft 6.5 in	1.99m	6 ft 6.5 in	1.99m	6 ft 6.5 in	1.99m	6 ft 6.5 in	1.99m
B Standard base Length - stowed	2 ft 5 in	0.74m	2 ft 5 in	0.74m	2 ft 5 in	0.74m	2 ft 5 in	0.74m	2 ft 7 in	0.79m
C Length - operating	4 ft 11.5 in	1.51m	4 ft 11.5 in	1.51m	6 ft 2 in	1.88m	6 ft 2 in	2.08m	6 ft 10 in	2.08m
D Width - stowed ⁽¹⁾	2 ft 7.5 in	0.80m	2 ft 7.5 in	0.80m	2 ft 7.5 in	0.80m	2 ft 7.5 in	0.80m	2 ft 7.5 in	0.80m
Width - with stabilizers lowered	6 ft 1 in	1.85m	6 ft 1 in	1.85m	6 ft 1 in	1.85m	6 ft 1 in	1.85m	6 ft 1 in	1.85m
E Ground clearance	2 in	5 cm	2 in	5 cm	2 in	5 cm	2 in	5 cm	2 in	5 cm
F Mast tilt angle	2.5° - 3° - 3.5° - 4.5°		2.5° - 3° - 3.5° - 4.5°		2.5° - 3° - 3.5° - 4.5°		2.5° - 3° - 3.5° - 4.5°		2.5° - 3° - 3.5° - 4.5°	
G Load height min.	6 in	15 cm	6 in	15 cm	6 in	15 cm	6 in	15 cm	6 in	15 cm

Productivity

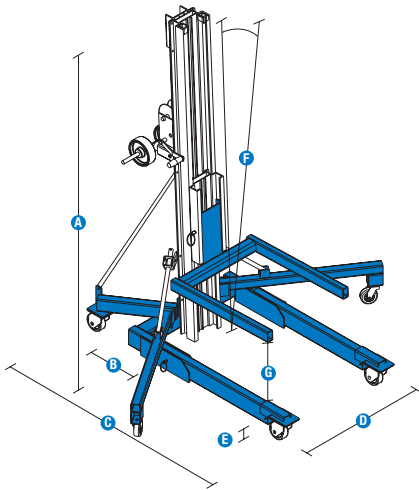
Load capacity at 18 in (46 cm) load center	1,000 lb	454 kg	1,000 lb	454 kg	800 lb	363 kg	800 lb	363 kg	650 lb	295 kg
Load capacity at 24 in (61 cm) load center	1,000 lb	454 kg	1,000 lb	454 kg	800 lb	363 kg	600 lb	272 kg	450 lb	204 kg
Load capacity at 42 in (107 cm) load center	350 lb	159 kg	400 lb	181 kg	500 lb	227 kg	350 lb	159 kg	250 lb	113 kg

Power

Average cranks - per length unit	12.5/ft	41/m	12.5/ft	41/m	12.5/ft	41/m	12.5/ft	41/m	12.5/ft	41/m
Standard winch - carriage moving	12.5/ft	41/m	12.5/ft	41/m	12.5/ft	41/m	12.5/ft	41/m	12.5/ft	41/m
Standard winch - mast moving	5.5/ft	18/m	5.5/ft	18/m	5.5/ft	18/m	5.5/ft	18/m	5.5/ft	18/m

Weight and Floor Loading

Weight - Standard	215 lb	98 kg	260 lb	118 kg	333 lb	151 kg	405 lb	184 kg	450 lb	204 kg
Weight - Straddle base	258 lb	117 kg	303 lb	137 kg	360 lb	163 kg	-	-	-	-



Load Handling Attachments	Dimensions		Weight	
	US	METRIC	US	METRIC
Standard forks (l/w/d) ⁽⁴⁾	27/23.5/2.5 in	69/60/6 cm	38.9 lb	18 kg
Standard fork size (each)	2.5/1.5 in	6/4 cm		
Adjustable forks assembly (l/w/d) ^{(3) (4)}	27.5/24-30/2.5 in	70/61-76/6 cm	52.5 lb	24 kg
Adjustable fork size max (each)	2.5/1.5 in	6/4 cm	52.5 lb	24 kg
Fork extensions detached (each) (l/w/d) ^{(3) (4)}	30/2/3 in	76/5/8 cm	4.5 lb	2 kg
Fork extension attached (each) (l/w/d) ^{(3) (4)}	25/2/3 in	64/5/8 cm	4.5 lb	2 kg
Flat forks (l/w/d) ⁽⁴⁾	32/16-31/1.5 in	81/41-79/3.8 cm	80.1 lb	36 kg
Boom (l/w/d) ^{(3) (4)}	18,24,32,44/1.5/6 in	46,61,81,112/4/15 cm	39.9 lb	18 kg
Load platform (l/w/d) ^{(3) (4)}	27.5/23/2.75 in	70/58/7 cm	31.5 lb	14 kg

(1) Outside dimensions.

(2) For use with standard and adjustable forks only.

(3) Measured from ground to bottom of shackle.

(4) Length/width/depth, from end of carriage and outside of forks

Genie® Superlift Advantage™ SLA™-5, SLA-10, SLA-15, SLA-20 & SLA-25

SKU: Standard Model

- SLA-5, Standard base*
- SLA-5, Straddle base*
- **SLA10001C00004:** SLA-10, Standard base
- SLA-10, Straddle base*

* Build to Order

SKU: Standard Model

- **SLA15001C00003:** SLA-15, Standard base
- SLA-15, Straddle base*
- **SLA20001C00002:** SLA-20, Standard base, Stabilizer set
- **SLA25001C00002:** SLA-25, Standard base, Stabilizer set

Option availability		S	S+	BtO
Chassis	Rear transport wheel assembly		<input type="radio"/>	<input type="radio"/>
	Heavy-duty design	<input checked="" type="checkbox"/>	<input checked="" type="checkbox"/>	<input checked="" type="checkbox"/>
	Portable compact design for easy transport and storage	<input checked="" type="checkbox"/>	<input checked="" type="checkbox"/>	<input checked="" type="checkbox"/>
	Quick setup requires no tools	<input checked="" type="checkbox"/>	<input checked="" type="checkbox"/>	<input checked="" type="checkbox"/>
	Stabilizer set (standard on SLA-20, SLA-25, not on Straddle base)			<input type="radio"/>
Mast	Mast brake	<input checked="" type="checkbox"/>	<input checked="" type="checkbox"/>	<input checked="" type="checkbox"/>
	One-speed manual winch, locks load in place	<input checked="" type="checkbox"/>	<input checked="" type="checkbox"/>	<input checked="" type="checkbox"/>
	Patented telescoping mast system	<input checked="" type="checkbox"/>	<input checked="" type="checkbox"/>	<input checked="" type="checkbox"/>
	Strong and lightweight aluminum telescoping mast	<input checked="" type="checkbox"/>	<input checked="" type="checkbox"/>	<input checked="" type="checkbox"/>
	Transport carriage lock	<input checked="" type="checkbox"/>	<input checked="" type="checkbox"/>	<input checked="" type="checkbox"/>
Wheels	Two speed winch (SLA-15, SLA-20, SLA-25 only)			<input type="radio"/>
	4in/10cm non-marking front casters	<input checked="" type="checkbox"/>	<input checked="" type="checkbox"/>	<input checked="" type="checkbox"/>
Attachments	5in/12cm rear casters with side brakes	<input checked="" type="checkbox"/>	<input checked="" type="checkbox"/>	<input checked="" type="checkbox"/>
	Durable standard steel forks	<input checked="" type="checkbox"/>	<input checked="" type="checkbox"/>	<input checked="" type="checkbox"/>
	Adjustable width forks		<input type="radio"/>	<input type="radio"/>
	Boom		<input type="radio"/>	<input type="radio"/>
	Flat forks (SLA-5, SLA-10, SLA-15)		<input type="radio"/>	<input type="radio"/>
Attachments	Fork extensions (use on Standard or Adjustable forks)		<input type="radio"/>	<input type="radio"/>
	Load platform		<input type="radio"/>	<input type="radio"/>

- S Standard
- S+ Standard +
- BtO Build to Order
- ✓ Standard Features
- Options



Quick Setup



Truck Portable



Max Lift Capacity
1000lb/454kg



Genie Genuine Accessories⁽¹⁾

(1) More accessories available from Genie Genuine Parts.

Product specifications are subject to change without notice or obligation. Photographs and/or drawings herein are for illustrative purposes only. Refer to the appropriate Operator's Manual for instructions on proper equipment use. Failure to follow instructions in the Operator's Manual may result in serious injury or death. The only warranty applicable to our equipment is the standard written warranty applicable to the particular product and sale and we make no other warranty, express or implied. Products and services listed may be trademarks, service marks or trade names of Terex Corporation and/or their subsidiaries in the USA and many other countries. Terex, Genie, Xtra Capacity, Lift Power, Lift Guard, Lift Tools, Lift Connect and Tech Pro Link are registered trademarks of Terex Corporation or its subsidiaries.