

Genie® S®-65 XC™ & S-65 TraX™

Specifications

| Models | S-65 XC & S-65 TraX | |
|--|---------------------|---------------|
| Measurements | US | Metric |
| Working height max. ⁽¹⁾ | 71 ft | 21.81 m |
| Working height max.(TraX) ⁽¹⁾ | 71 ft 2 in | 21.86 m |
| Platform height max. | 65 ft | 19.81 m |
| Platform height max.(TraX) | 65 ft 2 in | 19.86 m |
| Horizontal reach max. | 54 ft 2 in | 16.51 m |
| Below ground reach | 8 ft 8 in | 2.65 m |
| A Platform length (8 ft/6 ft) | 3 ft/2 ft 6 in | 0.91 m/0.76 m |
| B Platform width (8 ft/6 ft) | 8 ft/6 ft | 2.44 m/1.83 m |
| C Height - stowed (tires) | 9 ft 3 in | 2.81 m |
| C Height - stowed (TraX) | 9 ft 5 in | 2.87 m |
| D Length - stowed (tires) | 32 ft | 9.76 m |
| D Length - stowed (TraX) | 32 ft | 9.76 m |
| D Length - storage/transport (jib tucked under) | 25 ft 7 in | 7.80 m |
| E Width (tires) | 8 ft 2 in | 2.49 m |
| E Width (TraX) | 8 ft 1.6 in | 2.48 m |
| F Wheelbase | 8 ft 2 in | 2.49 m |
| G Ground clearance - center (tires) | 16.3 in | 0.41 m |
| G Ground clearance - center (TraX) | 18.6 in | 0.47 m |
| H Height under counterweight | 3 ft 10 in | 1.17 m |

Productivity

| | | |
|--|------------------------|---------------|
| Lift capacity max. - unrestricted | 660 lb | 300 kg |
| Lift capacity max. - restricted | 1,000 lb | 454 kg |
| Number of Platform Occupants (restricted/unrestricted) | 3/2 | |
| Platform rotation | 160° | |
| Jib length | 5 ft | 1.52 m |
| Vertical jib rotation (up/down) | 133° | |
| Turntable rotation | 360° | |
| Turntable tailswing | 4 ft 7.5 in | 1.41 m |
| Drive speed - stowed (tires) | 3.0 mph | 4.8 km/h |
| Drive speed - stowed (TraX) | 2.3 mph | 3.7 km/h |
| Drive speed - raised (tires) | 1 ft/s | 0.3 m/s |
| Drive speed - raised (TraX) | 0.7 ft/s | 0.2 m/s |
| Gradeability - stowed ⁽²⁾ | 45% | |
| Tilt sensor activation (front to back/side to side) | 7°/5° | |
| Turning radius - inside/outside (tires) | 10 ft 6 in/17 ft 10 in | 3.20 m/5.40 m |
| Turning radius - inside/outside (TraX) | 8 ft .5 in/18 ft 5 in | 2.45 m/5.60 m |
| Tires | 355/55D625 | |
| Track system - 4 points | TraX | |

Power

| | | |
|-------------------------|--------|-------|
| Power | Diesel | |
| Hydraulic tank capacity | 40 gal | 151 L |
| Fuel tank capacity | 35 gal | 132 L |

Weight⁽³⁾ and Floor Loading⁽⁴⁾

| | | |
|---------------------------------|------------|-----------|
| Weight (tires) | 25,160 lb | 11,412 kg |
| Weight (TraX) | 28,877 lb | 13,098 kg |
| Tire contact pressure | 90 psi | 620 kPa |
| Track contact pressure | 28 psi | 193 kPa |
| Occupied floor pressure (tires) | 304 psf | 14.55 kPa |
| Occupied floor pressure (TraX) | 100.64 psf | 4.82 kPa |

Sound and Vibration Levels

| | |
|---|------------------------|
| Sound Pressure level (ground workstation) | 85 dBA |
| Sound Pressure level (platform workstation) | 75 dBA |
| Vibrations | < 2.5 m/s ² |

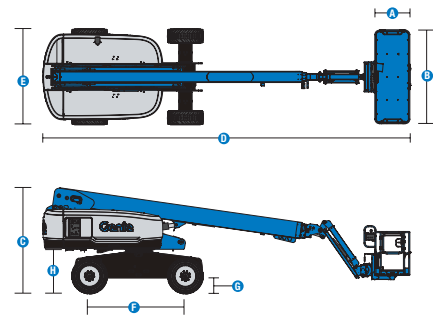
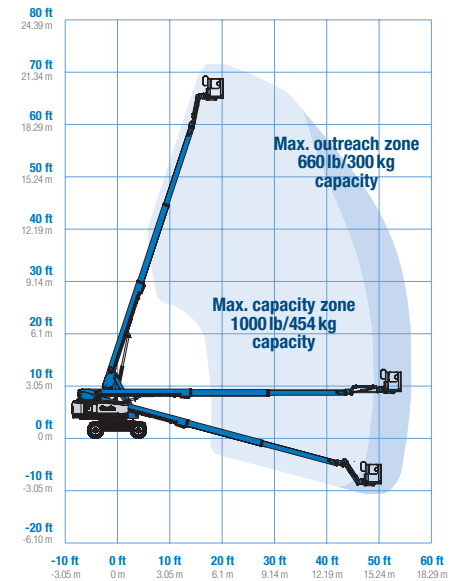
(1) The metric equivalent of working height adds 2 m to platform height. The imperial equivalent adds 6 ft to platform height.

(2) Gradeability applies to driving on slopes and may vary depending on options and machine configurations. See operator's manual for details regarding slope ratings.

(3) Weight refers to standard configuration and may vary depending on options and/or country standards.

(4) Floor loading information is approximate and may vary depending on options and machine configurations. It should be used only with adequate safety factors.

Range of motion S-65 XC/S-65 TraX



Genie® S®-65 XC™ & S-65 TraX™

SKU: Standard Model

- **S65XC001CV0005:** S-65 XC, Stage V, 110V, 4WD
- **S65XC001CV0008:** S-65 XC, Stage V, 110V, Lift Power 3kW, 4WD
- S-65 XC, Stage IIIA, 110V, 4WD*

* Build to Order

SKU: Standard Model

- **S65XC001CV0004:** S-65 XC, Stage V, 220V, 4WD
- **S65XC001CV0007:** S-65 XC, Stage V, 220V, Lift Power 3kW, 4WD
- **S65XC001CV0051:** S-65 XC, Stage IIIA, 220V, 4WD
- S-65 XC, Stage V, TraX 60hp Turbo Deutz Diesel*

| Option availability | | S | S+ | BtO |
|-------------------------|---|---|----|-----|
| Power | 48 hp, 36 kW, Deutz D2011, Diesel, T4i/Stage IIIA | | | ○ |
| | 49 hp, 36 kW, Deutz TD2.2L, Turbo Diesel, Stage V | ✓ | ✓ | ✓ |
| | 60 hp, 45 kW, Deutz TD2.2L, Turbo Diesel, Stage V (TraX only) | | | ○ |
| | Cold weather package | | ○ | ○ |
| | Diesel catalytic scrubber muffler (T4i/Stage IIIA/CN III) | | | ○ |
| | Positive air shutdown system | | | ○ |
| | Anti-restart engine protection | ✓ | ✓ | ✓ |
| | Auto engine fault shutdown | ✓ | ✓ | ✓ |
| | In cylinder glow plug (diesel only) | ✓ | ✓ | ✓ |
| Platform | 6ft/1.83m dual-entry platform with side swing gate | | | ○ |
| | 8ft/2.44m tri-entry platform with side swing gate | ✓ | ✓ | ✓ |
| | Power to platform, no RCBO | ✓ | ✓ | ✓ |
| | Power to platform with RCBO | | ○ | ○ |
| | Dual axis joystick steering | | | ○ |
| | Thumb rocker steering | ✓ | ✓ | ✓ |
| | Air line to platform | | | ○ |
| | Control box covers | | ○ | ○ |
| | Lift Guard Full Mesh panels | | | ○ |
| | Lift Guard Half Mesh panels | | | ○ |
| | Light Package: drive and work lights | | | ○ |
| | Platform auxiliary top rail | | | ○ |
| | Lift Power 3kW AC Generator, 110V/50Hz | | | ○ |
| | Lift Power 3kW AC Generator, 220V/50Hz | | | ○ |
| | 660lb/300kg & 1000lb/454kg dual load capacity with automatic envelope control | ✓ | ✓ | ✓ |
| | Drive enable system | ✓ | ✓ | ✓ |
| | Horn | ✓ | ✓ | ✓ |
| | Lift Guard Contact Alarm | ✓ | ✓ | ✓ |
| | Lift Tools Work Tray | ✓ | ✓ | ✓ |
| | Platform load sense system | ✓ | ✓ | ✓ |
| Proportional controls | ✓ | ✓ | ✓ | |
| Self-leveling platform | ✓ | ✓ | ✓ | |
| Chassis | Lift Connect Telematics | | ○ | ○ |
| | Telematics-ready | ✓ | ✓ | ✓ |
| | Lift Connect with Access Manager upgrade | | ○ | ○ |
| | Eco32 biodegradable hydraulic oil | | ○ | ○ |
| | Rough terrain, foam-filled tires | ✓ | ✓ | ✓ |
| | Rough terrain, foam-filled, non-marking tires | | | ○ |
| | TraX track drive system | | | ○ |
| | Deluxe hostile environment kit | | | ○ |
| | Hostile environment kit | | | ○ |
| | Chassis tilt drive function cut-out | ✓ | ✓ | ✓ |
| | Chassis tilt lift and drive function cut-out | | ○ | ○ |
| | 2 speed wheel motors | ✓ | ✓ | ✓ |
| | Active oscillating axle | ✓ | ✓ | ✓ |
| | Alarm package: includes flashing beacon and travel alarm | ✓ | ✓ | ✓ |
| | Descent, tilt and motion alarm | ✓ | ✓ | ✓ |
| | Dual battery system | ✓ | ✓ | ✓ |
| Hour meter | ✓ | ✓ | ✓ | |
| Hydraulic oil cooler | ✓ | ✓ | ✓ | |
| Positive traction drive | ✓ | ✓ | ✓ | |
| Tech Pro Link connector | ✓ | ✓ | ✓ | |

Positive air shutdown system for Stage V only


S Standard

S+ Standard +

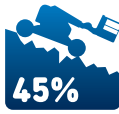
BtO Build to Order

✓ Standard Features


○ Options



XC
Xtra Capacity



45%
Rugged Terrainability



Lift Power



Genie Genuine Accessories⁽¹⁾

- Lift Tools Productivity Tools
- Lift Connect Telematics
- Tech Pro Link Handheld Device

(1) More accessories available from Genie Genuine Parts.

Product specifications are subject to change without notice or obligation. Photographs and/or drawings herein are for illustrative purposes only. Refer to the appropriate Operator's Manual for instructions on proper equipment use. Failure to follow instructions in the Operator's Manual may result in serious injury or death. The only warranty applicable to our equipment is the standard written warranty applicable to the particular product and sale and we make no other warranty, express or implied. Products and services listed may be trademarks, service marks or trade names of Terex Corporation and/or their subsidiaries in the USA and many other countries. Terex, Genie, Quality By Design, Xtra Capacity, Lift Power, Lift Guard, Lift Tools, Lift Connect and Tech Pro Link are registered trademarks of Terex Corporation or its subsidiaries.